

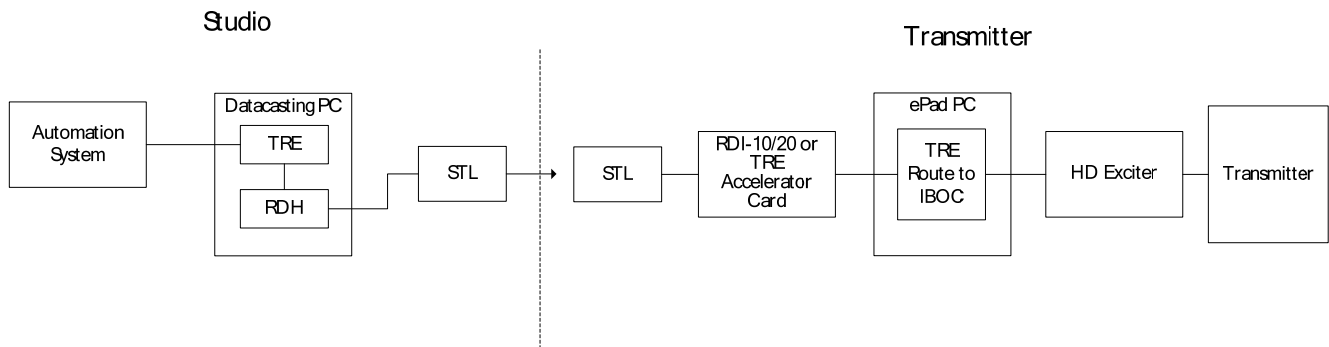
Configuring ePad for use with theradioexperience

THE INFORMATION IN THIS ARTICLE APPLIES TO:

All TRE, TRE Remote Datahost, and TRE Route to IBOC (ePad) versions. The RDI 10/20 encoders and the BE RDS Accelerator Expansion card.

SUMMARY

TRE Route to IBOC (ePad) is used to convert multiplexed data into Main Program Service Data (MPSD). It is used in situations when MPSD must be generated and a serial only Studio Transmitter Link (STL) is in use.



MORE INFORMATION

Before modifying the **TRE.ini**, or any other configuration file, be sure to make a backup!

This document assumes that TRE Now Playing Software is already fully configured and accepting an output from your automation system.

Your BE RDS encoder must be running firmware version 1.6 FMBi. To check your version, connect to your encoder via serial and type 'XVER?'.

INSTALLATION

TRE Remote Datahost must be installed on the TRE Now Playing PC at the studio location.

To install TRE remote Data Host, simply unzip the 'TRE-RDH.zip' file into the root (usually C:\) directory on the PC that is already running TRE Now Playing.

TRE Route to IBOC (ePad) must be installed on a pc at the transmitter site.

To install TRE Route to IBOC, simply unzip the 'TRE-RTI.zip' the root (usually C:\) directory on a PC located at the transmitter site.

You will also need the IBOC set of .DLL files on this PC. If you do not have them, please contact BE Customer Service.

CONFIGURING TRE NOW PLAYING

In order to pass data to the Remote Data Host software, we must first configure TRE Now Playing. All changes for TRE Now Playing are made in the **TRE.ini** file.

In the **TRE.ini** file, browse to the **RemoteData** section. If this section does not exist, cut and paste it from below.

In this section you must Enable the Remote Data Host (Enable=1), set the IP Address (Addr=XXX.XXX.XXX) and Port Number (Port=XXXX) of the machine running the Remote Data Host software. Usually this is on the same machine as TRE Now Playing. You will also need to set a Channel Number (Channel=X) for each station or copy of TRE Now Playing.

```
[RemoteData]
; Enable if using multiple station feeds and one instance of TRE.
; This section should point to the remote data host.
; (0=Disable, 1=Enable)
Enable=1
Addr=127.0.0.1
Port=4000

; Set Channel= to a unique station ID for THIS instance of TRE.
Channel=1
SendExtended=1
SendRadioText=1
SendTime=0
```

It is recommended that you also disable Radio Text in the **RadioText** section of the **TRE.ini**.

```
[RadioText]
; This section controls RDS Output.
; (0=Disable, 1=Enable)
Enable=0
```

CONFIGURING THE REMOTE DATA HOST

In the **RemoteDataHost.ini** file, You must set the Port Number (TCPPort=XXX) that will be accepting data from TRE Now Playing. (This should match the Port Number under the RemoteData section of the TRE.ini.) You will also need to set the Com Port (COMPort=X) and Baud Rate (Baud=XXXX) to match the communications link to the STL.

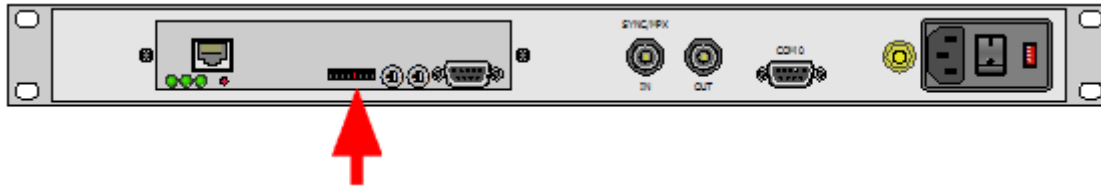
```
[RemoteDataHost]
TCPPort=4000
COMPort=COM1
Baud=9600
```

SETTING THE ENCODER

It is also necessary to make a few minor adjustments to the RDS Encoder. The ePad software currently only supports the BE RDS 10/20 encoders and the RDS Accelerator Expansion card.

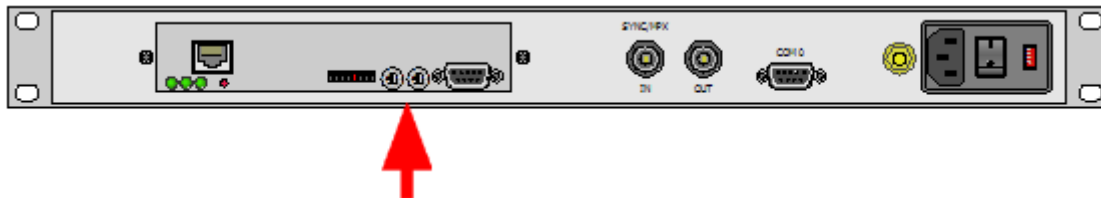
MULTIPLEXING MODE

The encoder must be placed into "Multiplexing Mode". On the back panel of the encoder, Flip dip switch number 5 into the down position.



SETTING THE CHANNEL

You must also set the Channel for the encoder using the two white dials. Set this to match the two digit channel number listed in the TRE.ini file under the RemoteDataHost section.

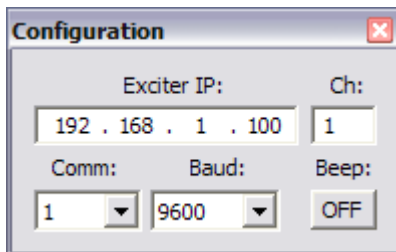


MAKING CONNECTIONS

Incoming data (from the STL) must connect to Com 0 on the encoder or Accelerator Expansion Card. Outgoing data (to ePad) must connect to Com 1 on the encoder or Accelerator Expansion Card.

CONFIGURING TRE ROUTE TO IBOC (EPAD)

To configure the ePad program you must first start the application. Then select 'File' and 'Config'. A configuration window should appear. In this window you must set the following.



Set the Exciter IP to match that of the Exciter. Set the channel to match the Channel of the proper instance of TRE Now Playing. Set Com to match the number of the com port of the data incoming from the encoder. Set Baud to match the baud rate of the data incoming from the encoder.

For additional information on this topic, please contact Broadcast Electronics Digital Customer Service at 217.224.4700. You can also email specific questions to service@bdcast.com.